



La Mécanique Moderne.com

Tel : (33) 03 21 55 36 00

MBU screwpress high debit

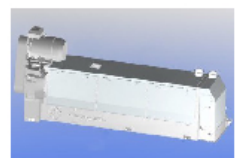


The industrial oil milling are high capacities products. From 10 to 700 tons / day / screwpress. Complete oil plant, several process, contact us for a personal quotation.

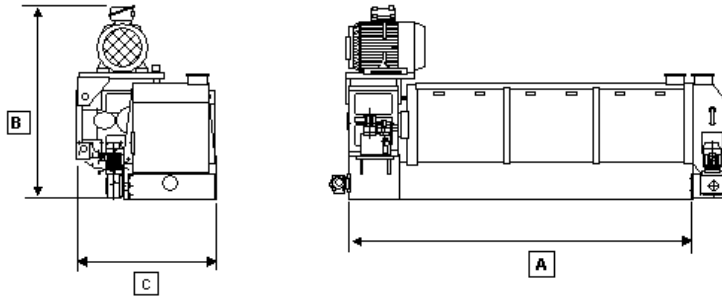
A full range of products which aims to meet your needs do not hesitate to contact us for more details.

MBU Screwpress, 10 - 700 tons / day / screwpress

	Pre pressure (seed debit, installed power)	Cold pressure (seed debit, installed power)	Hot pressure (seed debit, installed power)
MBU 130	80 tons, 55 kW	22 tons, 55 kW	22 tons, 55 kW
MBU 260	120 tons, 90 kW	30-35 tons, 90 kW	30-40 tons, 75 kW
MBU 330	300 tons, 160 kW	45 tons, 110 kW	45 tons, 110 kW
MBU 530	400 tons, 315 kW	60-240 tons, depends on wishes for residual oil in cakes	60 tons, 160 kW
MBU 730	700 tons, 400 kW		



Screwpress dimensions *



	A (length)	B (height)	C (Width)
MBU 130	3460	1200	1300
MBU 260	4325	1425	2249
MBU 330	5810	1640	2480
MBU 530	5525	2350	2375
MBU 730	6354	2670	1591

* Please contact us to know the exact details (dimensions could be changed because of the constant evolution and improvement of our products).