



La Mécanique Moderne.com

Tel : (33) 03 21 55 36 00

MBU screwpress small and middle capacity



The design of the continuous press of "LA MÉCANIQUE MODERNE" is the finalization of a long experience of different fields of press manufacture. The trials and studies undertaken by our team of technicians for more than 30 years enable us to present this equipment which benefits from the latest technological advances in the field of continuous pressure.

MBU continuous screwpress : 2 to 10 tons / day

	Capacity	Installed power	Residual oil in cakes * (cold - hot pressure)
MBU 20	2,4 tons / day	7,5 kW	11-13 % - 8-9 %
MBU 40	4,8 tons / day	15 kW	11-13 % - 8-9 %
MBU 75	9,6 tons / day	22 kW	11-13 % - 8-9 %

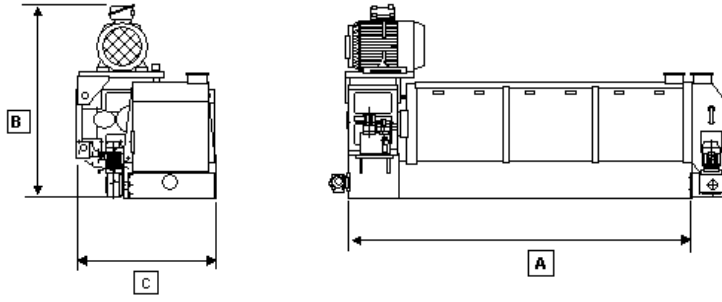


* Oil residual in cakes depends on the seed moisture.

Oil extraction in cold pressure: no seed preparation cheap investment.

Oil extraction in hot pressure, better residual oil in cakes but more expensive (products with high value-added).

Screwpress size *



	A (longueur)	B (hauteur)	C (largeur)
MBU 20	1975	875	805
MBU 40	2318	867	867
MBU 75	2950	1392	1795

* Please contact us to know the exact details (dimensions could be changed because of the constant evolution and improvement of our products).