



La Mécanique Moderne.com

Tel : (33) 03 21 55 36 00

MBV Screwpress - Animal fat



The conception of the continuous press of LA MECANIQUE MODERNE is the finalization of a long experience of different fields of press manufacture. The trials and studies undertaken by our team of technicians during more than 30 years enable us to present this equipment which benefits from the latest technological advances in the field of continuous pressure.

MBV continuous screwpress - Treatment of by products - Rendering industry

Capacity - cooked product**Installed power****Fat content in cakes****MBV 130**

18 - 30 tons / day

37 kW

9 - 12 %

**MBV 260**

35 - 60 tons / day

55 / 75 kW

9 - 12 %

**MBV 330**

85 - 100 tons / day

110 kW

9 - 12 %

**MBV 530**

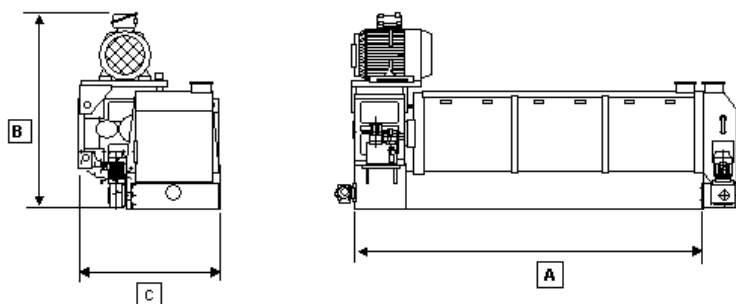
100 - 120 tons / day

132 / 160 kW

9 - 12 %



* Residual fat content in cakes depends on by-product (bone, internal organs ...).

Screwpress dimensions *

	A (length)	B (height)	C (width)
MBV 130	4175	2050	1400
MBV 260	4300	2200	1850
MBV 330	4935	2600	2110
MBV 530	5100	2500	2110

* Please contact us to know the exact details